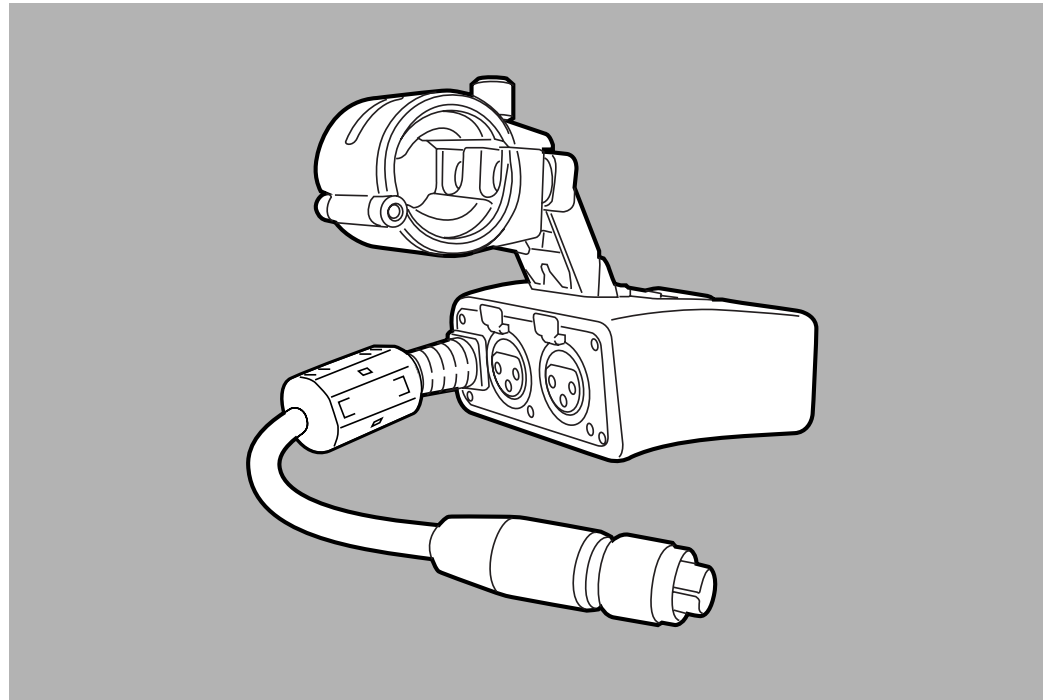


Panasonic®

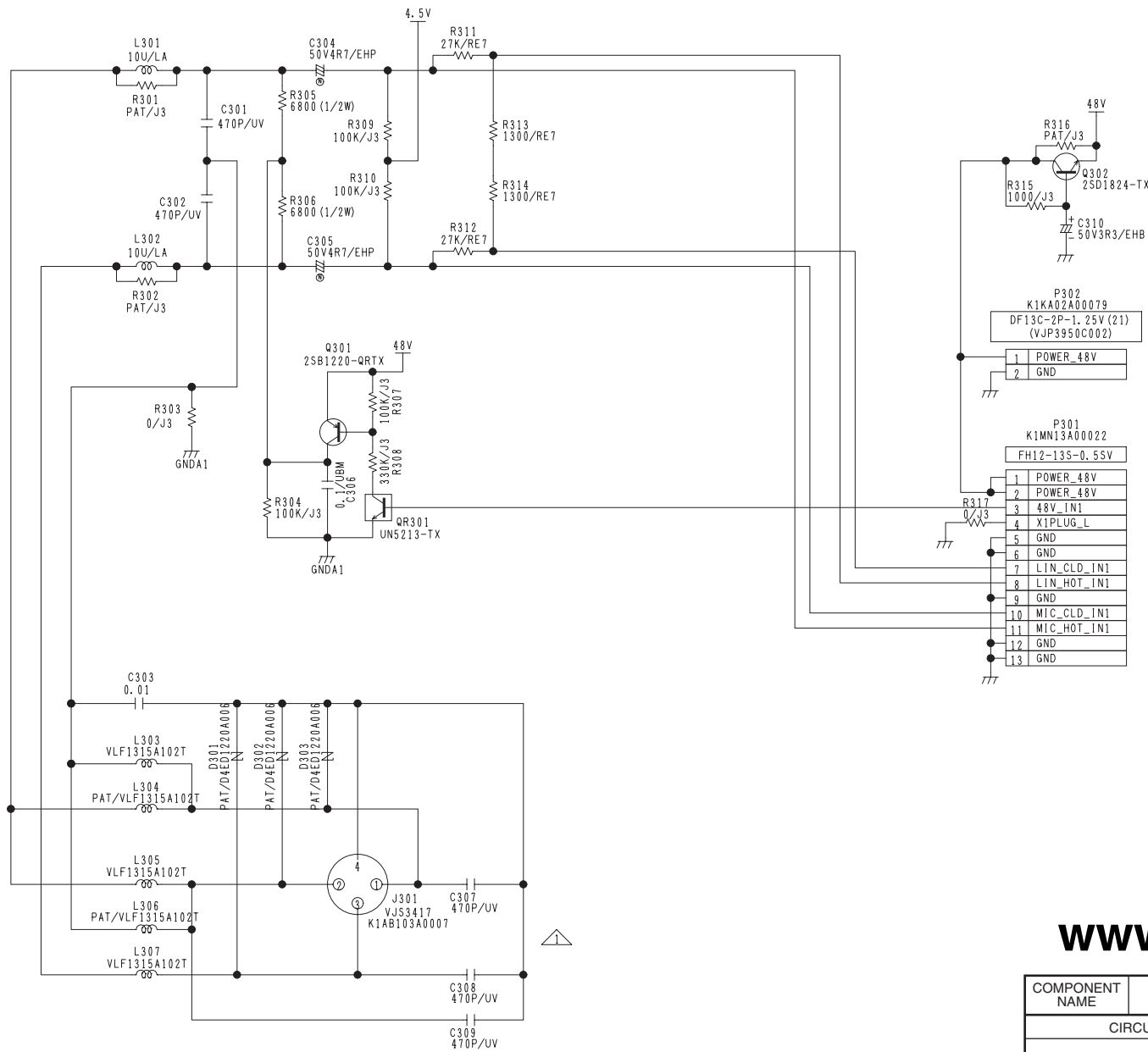


Model AG-MYA30G

XLR Microphone Adapter

Service manual

www.monterdiy.net

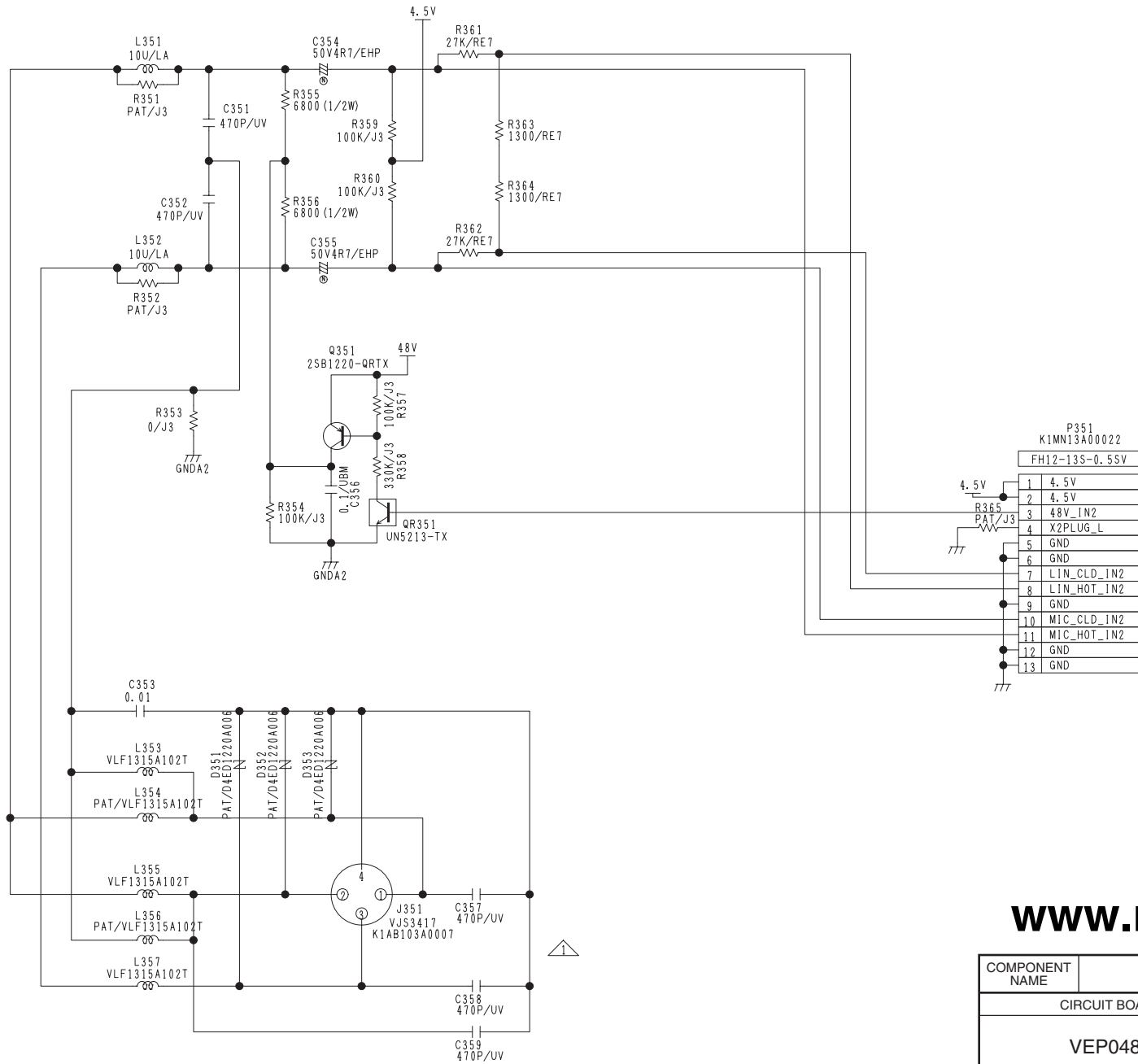


www.monterdiy.net

COMPONENT NAME	XLR(INPUT1)	01/02
CIRCUIT BOARD NO.		DRAWING NO.
VEP04869A		KR4A0053 (1/2)
		SCM036

1 2 3 4 5 6 7 8 9 10 11 12 13 14 15

A
B
C
D
E
F
G
H
I
J

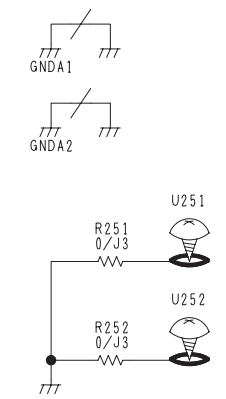
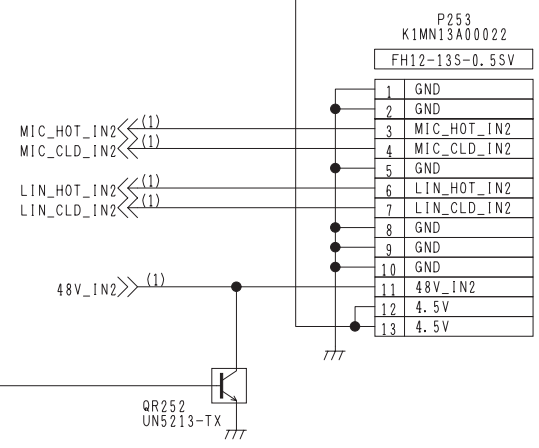
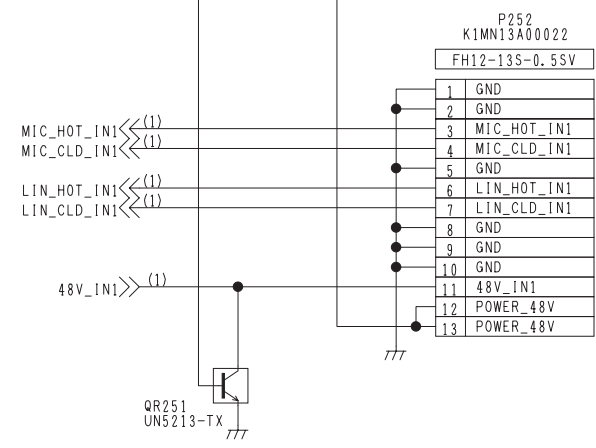
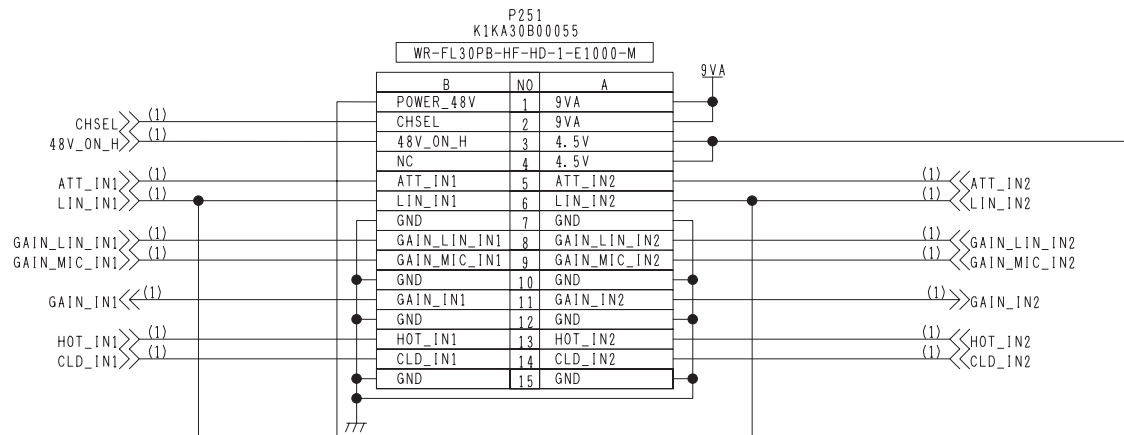


www.monterdiy.net

COMPONENT NAME	XLR(INPUT2)	02/02
CIRCUIT BOARD NO.	VEP04869A	DRAWING NO.
		KR4A0053 (2/2)
		SCM037

1 2 3 4 5 6 7 8 9 10 11 12 13 14 15

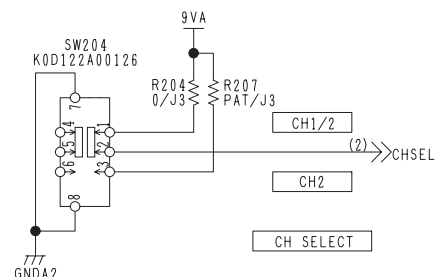
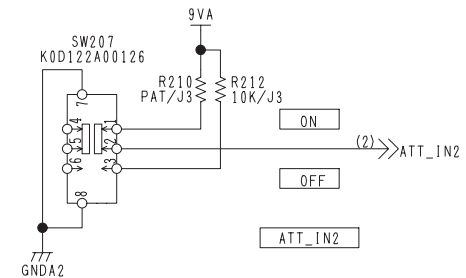
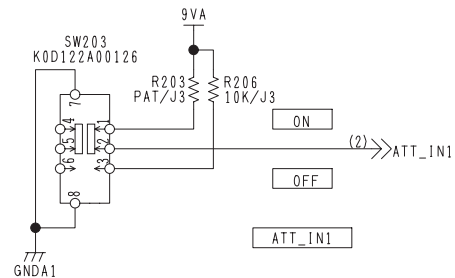
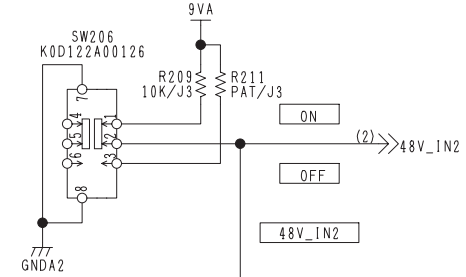
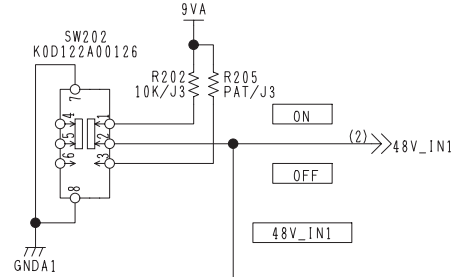
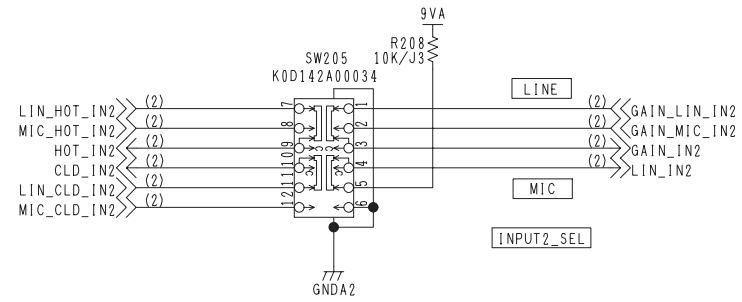
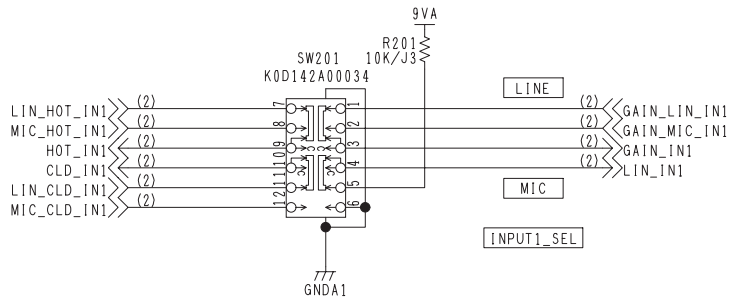
A
B
C
D
E
F
G
H
I
J



www.monterdiy.net

COMPONENT NAME	SW(CN)	02/02
CIRCUIT BOARD NO.		DRAWING NO.
VEP04870A		KR4A0054 (2/2)
SCM039		

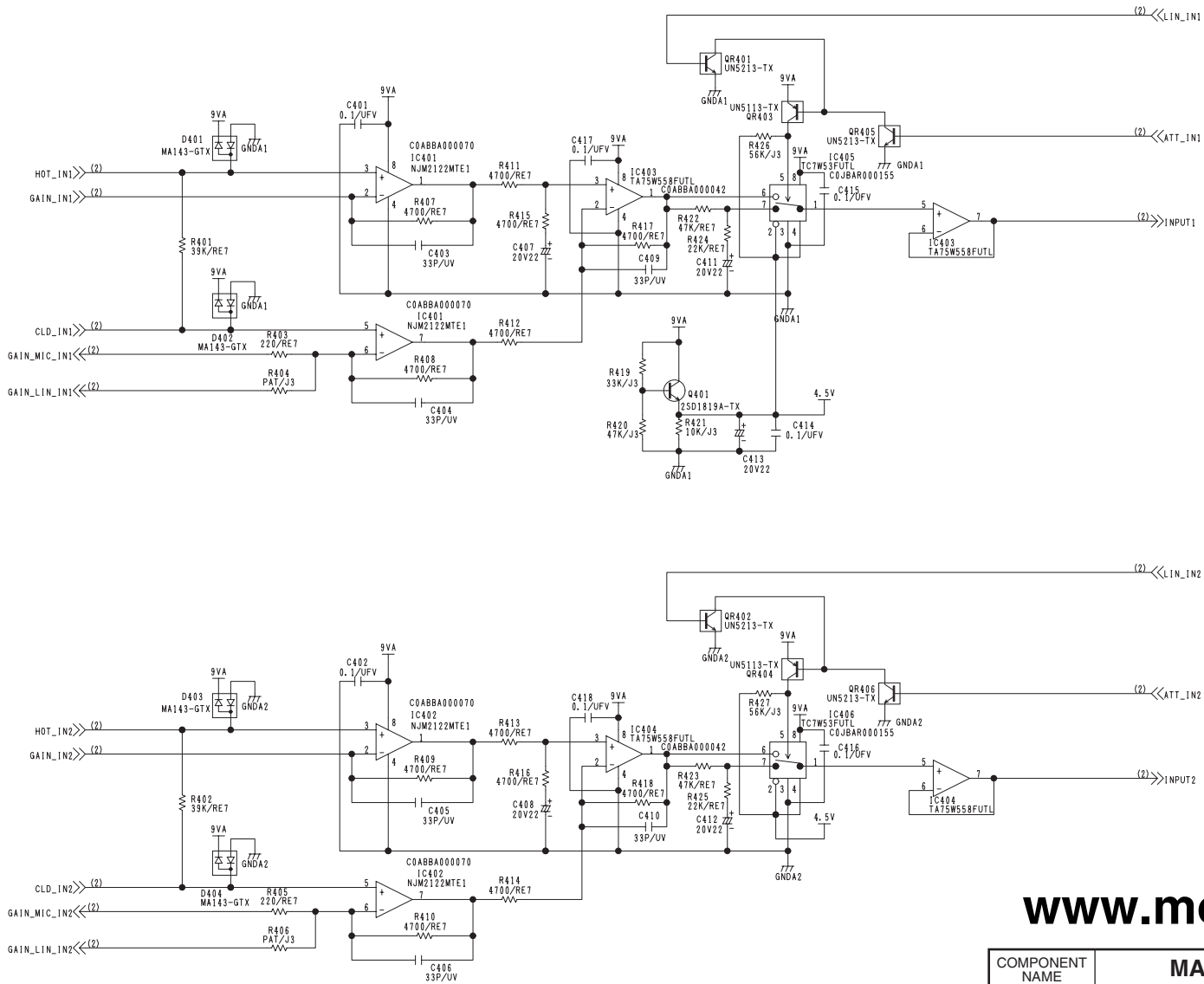
A
B
C
D
E
F
G
H
I
J



www.monterdiy.net

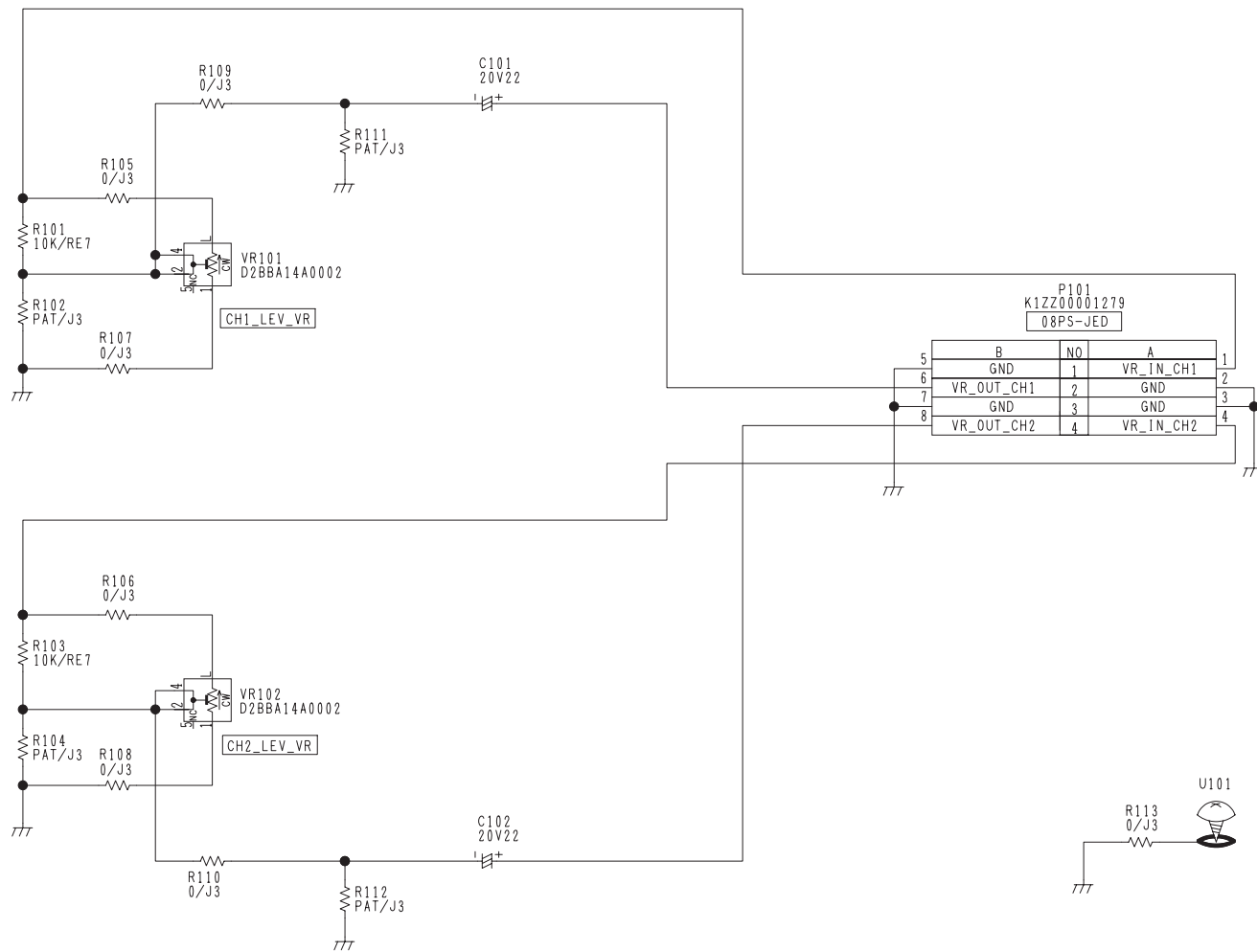
COMPONENT NAME	SW(SW)	01/02
CIRCUIT BOARD NO.		DRAWING NO.
VEP04870A		KR4A0054 (1/2)
SCM038		

A
B
C
D
E
F
G
H
I
J



www.monterdiy.net

COMPONENT NAME	MAIN(GAIN_SEL)	01/02
CIRCUIT BOARD NO.		DRAWING NO.
VEP04875A		KR4A0065 (1/2)
SCM040		



www.monterdiy.net

COMPONENT NAME	VR	01/01
CIRCUIT BOARD NO.		DRAWING NO.
VEP04871A		KR4A0055 (1/1)
SCM043		

1 2 3 4 5 6 7 8 9 10 11 12 13 14 15

A
B
C
D
E
F
G
H
I
J

